

Coupling device AGH150W-4



Coupling device AGH150W-4

Technical data

Insulation coordination acc. to IEC 60664-1

Rated insulation voltage	DC 1600 V
Rated impulse withstand voltage/pollution degree	12 kV/3

Voltage ranges

Nominal system voltage U_n	DC 0...1760 V
------------------------------	---------------

General data

Shock resistance IEC 60068-2-27 (device in operation)	15 g/11 ms
Bumping IEC 60068-2-29 (transport)	40 g/6 ms
Vibration resistance IEC 60068-2-6 (device in operation)	1 g/10...150 Hz
Vibration resistance IEC 60068-2-6 (transport)	2 g/10...150 Hz
Ambient temperature (during operation)	-10 °C...+55 °C
Ambient temperature (during storage)	-40 °C...+70 °C
Climatic class acc. to IEC 60721-3-3	3K5
Operating mode	continuous operation
Mounting	any position
Connection	flat terminals
Connection properties rigid / flexible	0.2...4 mm ² / 0.2...2.5 mm ²
Degree of protection, internal components (IEC 60529)	IP 30
Degree of protection, terminals (IEC 60529)	IP 20
DIN rail mounting acc. to	IEC 60715
Flammability class	UL94 V-0
Operating manual	BP109001
Weight approx.	900 g

Ordering information

Type	Nominal system voltage U_n	Art. No.
AGH150W-4	DC 1760 V	B 9801 8006

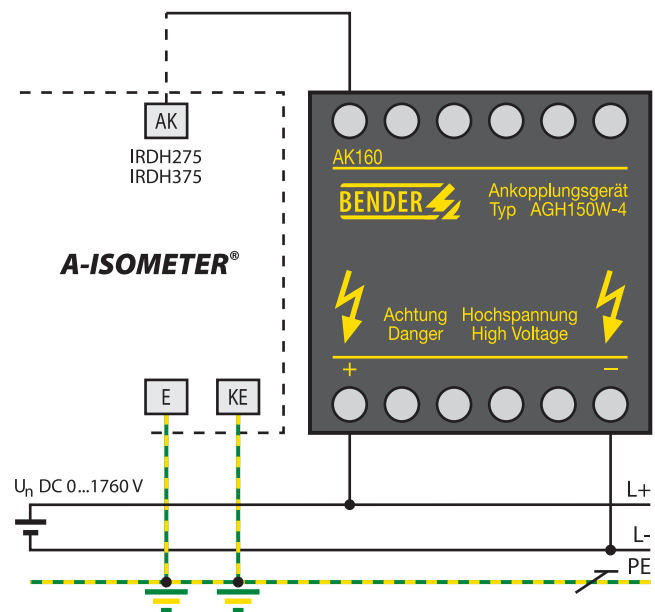
Product description

The AGH150W-4 coupling device is designed to extend the nominal voltage range of the A-ISOMETER® IRDH265-4/IRDH365-4/IRDH1065B-4 series to DC 0...1760 V. The coupling device is connected to the system being monitored by two poles and connected to the terminal AK of the A-ISOMETER® by means of the terminal AK160.

Standards, approvals and certifications



Wiring diagram



Dimension diagram X150

Dimensions in mm

