

Coupling device AGH204S-4

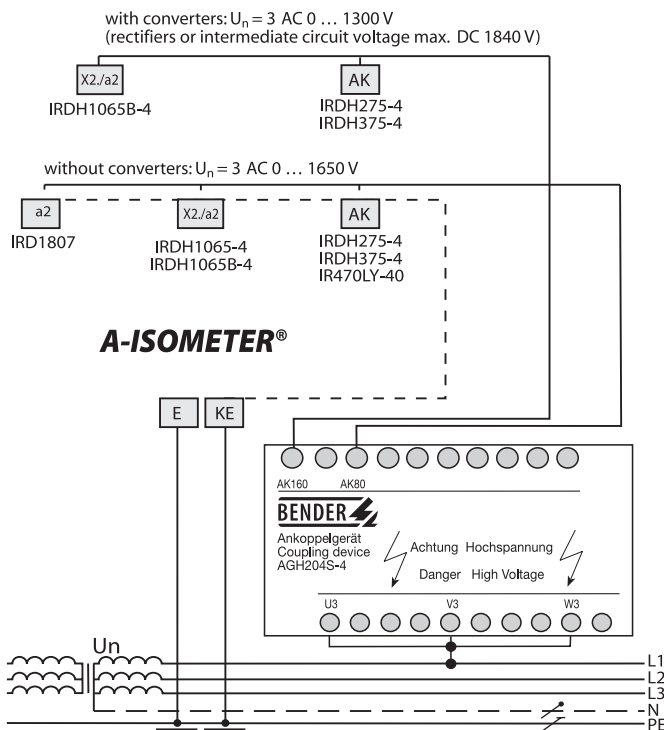
Product description

The AGH204S-4 coupling device is designed to extend the nominal voltage range of the A-ISOMETERs® described in the wiring diagram below to AC, 3(N) AC 50...400 Hz, 0...1650/0...1300 V. The coupling device is to be connected to the system to be monitored according to the wiring diagram below. Terminal AK... is to be connected to terminal of the respective A-ISOMETER®.

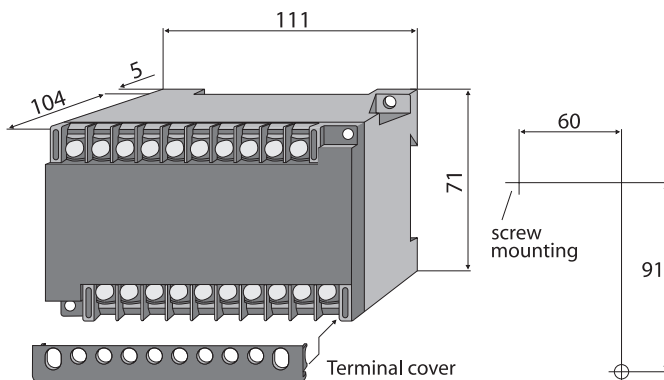
Certifications



Wiring diagram



Dimension diagram, enclosure X200 Dimensions in mm



Coupling device AGH204S-4

Ordering details

Type	Nominal system voltage U_n	Art. No.
AGH204S-4	AC 0...1650 V / 0...1300 V	B 914 013

Technical data coupling device AGH204S-4

Insulation coordination acc. to IEC 60664-1

Rated insulation voltage	DC 1500 V
Rated impulse voltage / pollution degree	12 kV / 3

Voltage ranges

Nominal system voltage U_n	AC, 3(N) AC 50...400 Hz 0...1650 V / 0...1300 V
------------------------------	---

General data

Shock resistance acc. to IEC 60068-2-27 (device in operation)	15 g / 11 ms
Bumping acc. to IEC 60068-2-29 (during transport)	40 g / 6 ms
Vibration resistance acc. to IEC 60068-2-6 (device in operation)	1 g / 10...150 Hz
Vibration resistance acc. to IEC 60068-2-6 (during transport)	2 g / 10...150 Hz
Ambient temperature, during operation	-10 °C...+55 °C
Storage temperature range	-40 °C...+70 °C
Climatic class according to IEC 60721-3-3	3K5
Operating mode	continuous operation
Mounting	any position
Connection	modular terminals
Wire cross section, rigid, flexible	0.2...4 mm ² / 0.2...2.5 mm ²
Degree of protection, internal components (DIN EN 60529)	IP 30
Degree of protection, terminals (DIN EN 60529)	IP 20
Screw mounting	2 x M4
DIN rail mounting according to	DIN EN 60715 / IEC 60715
Flammability class	UL94V-0
Instruction leaflet	109002
Weight approx.	1350 g