

# Coupling device AGH675S-7



# Coupling device AGH675S-7



Ankoppelgerät AGH675S-7

## Product description

The coupling device AGH675S-7 is designed to extend the nominal voltage range of the ISOMETER® IRDH275BM-7 to AC/ 0...7.2 kV. The coupling device is connected to the system to be monitored by one pole and connected to the terminal AK of the ISOMETER® by means of the terminal 5.

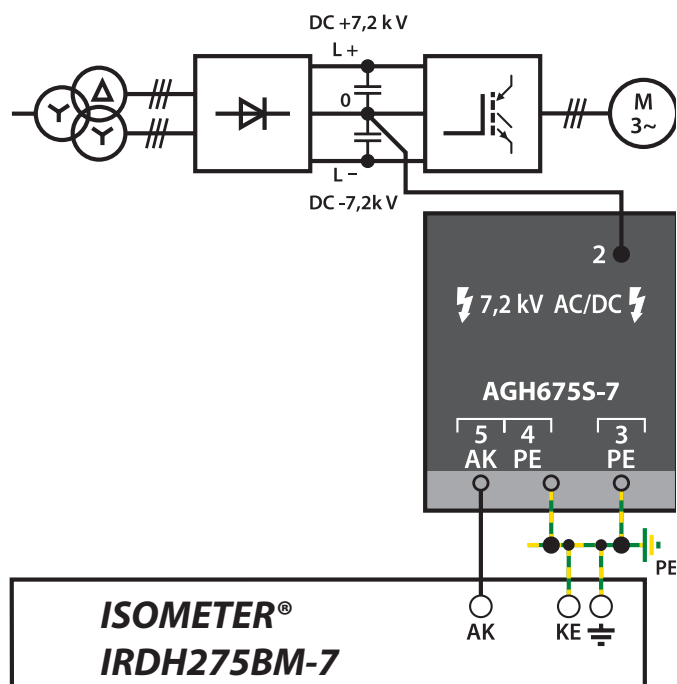
## Approvals



## Ordering information

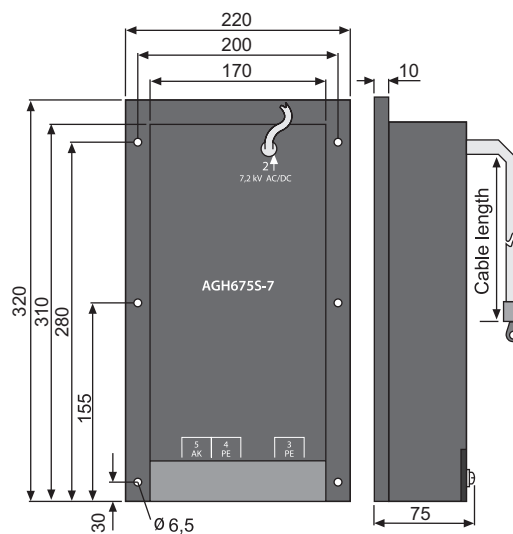
Nominal system voltage $U_S$	Cable length	Type	Art. No.
0...7.2 kV, 0...460 Hz	500 mm	AGH675S-7-500	B 913 056
	2000 mm	AGH675S-7-2000	B 913 054

## Wiring diagram (example)



## Dimension diagram AGH675S-7

Dimensions in mm



**Technical data**
**Insulation coordination acc. to DIN EN 61800-5-1**

Rated insulation voltage	AC 7.2 kV
--------------------------	-----------

**Voltage test acc. to DIN EN 61800-5-1**

Voltage impulse test (basic insulation)	40 kV
AC voltage test (basic insulation)	20 kV
Partial discharge test	$\geq 14$ kV

**Voltage ranges**

Nominal system voltage $U_n$	AC, 3(N)AC 0...7.2 kV
Nominal frequency $f_n$	0...460 Hz
Internal DC resistance $R_i$	$\geq 2.8$ M $\Omega$

**Environment**

Classification of mechanical conditions acc. to IEC 60721:	
Stationary use (IEC 60721-3-3)	3M4
Transport (IEC 60721-3-2)	2M2
Storage (IEC 60721-3-1)	1M3
Ambient temperature (during operation)	-10...+55 °C
Ambient temperature (during storage)	-40...+70 °C
Climatic class acc. to IEC 60721-3-3	3K5

**Connection**

Connection terminal 2 (medium voltage)	high-voltage cable (encapsulated on the device side)
Connection terminals 3, 4, 5	screw-type terminals
Connection properties rigid/flexible	0.2...4 mm <sup>2</sup> /0.2...2.5 mm <sup>2</sup>

**Other**

Operating mode	continuous operation
Mounting	any position
Degree of protection, internal components (DIN EN 60529)	IP64
Degree of protection, terminals (DIN EN 60529)	IP20
Type of enclosure	resin-encapsulated block
Screw mounting	6 x M5
Flammability class	UL94 V-HB
Weight	$\leq 5100$ g



**Bender GmbH & Co. KG**

P.O. Box 1161 • 35301 Grünberg • Germany  
Londorfer Straße 65 • 35305 Grünberg • Germany  
Tel.: +49 6401 807-0 • Fax: +49 6401 807-259  
E-Mail: [info@bender-de.com](mailto:info@bender-de.com) • [www.bender-de.com](http://www.bender-de.com)

**BENDER Group**