

Power supply unit AN420

Power supply unit for measuring current transformers



Power supply unit AN420

Power supply unit for measuring current transformers



Power supply unit AN420

Product description

The power supply unit AN420 is used to supply measuring current transformers of the W...AB series. The CTs are to be supplied with a symmetrical supply voltage of DC ± 12 V using a pre-fabricated connecting cable of the WXS... series.

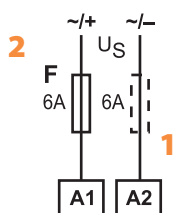
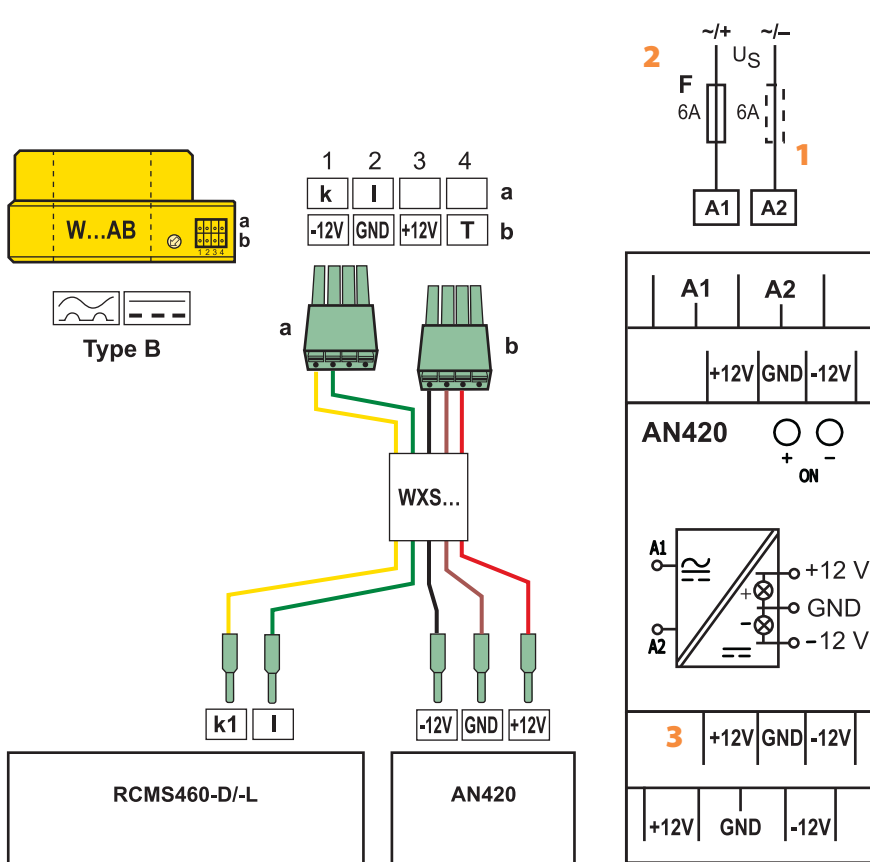
The power supply unit is capable of supplying up to six W...AB series measuring current transformers.

The ON LEDs +12 V, -12 V indicate that the symmetrical output voltage of ± 12 V is applied.

Approvals and certifications



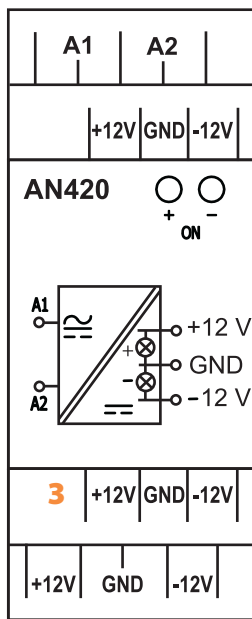
Wiring diagram



- 1 - Supply voltage U_s
- 2 - Short-circuit protection of U_s , 6 A fuse recommended
- 3 - Symmetrical output voltage

Colour coding for the conductors of the WXS... connecting cable

k1 = yellow, I = green, - 12 V = black, GND = brown, + 12 V = red



Technical data

Insulation coordination acc. to IEC 60664-1 / IEC 60664-3

Rated insulation voltage	AC 250 V
Rated impulse voltage/pollution degree	4 kV / III
Protective separation (reinforced insulation) between	(A1, A2) - (+ 12 V, GND, - 12 V)
Voltage test acc. to IEC 61010-1	2.21 kV

Supply voltage

Supply voltage U_s	AC/DC 70...276 V
Frequency range f_s	DC, AC 42...460 Hz
Power consumption	≤ 30 VA

Output of the power supply unit

Output voltage U_{out}	DC ± 12 V, short-circuit proof
Operating range	11.9...12.1 V
Rated output	9 W

Cable length

Recommended cable	WXS100...WXS1000 (see ordering information)
-------------------	---

EMC

EMC	DIN EN 61000-6-4 DIN EN 61000-6-2
-----	--------------------------------------

Operating temperature	-25 °C...+55 °C
Climatic class acc. to IEC 60721	
Stationary use (IEC 60721-3-3)	3K5 (except condensation and formation of ice)
Transport (IEC 60721-3-2)	2K3 (except condensation and formation of ice)
Long-time storage (IEC 60721-3-1)	1K4 (except condensation and formation of ice)
Classification of mechanical conditions IEC 60721	
Stationary use (IEC 60721-3-3)	3M4
Transport (IEC 60721-3-2)	2M2
Long-time storage (IEC 60721-3-1)	1M3

Connection

Connection type	screwless-type terminals
Connection properties	rigid
0.2...2.5 mm ² / AWG 24-14	
Flexible without ferrule	0.2...2.5 mm ² / AWG 24-14
Flexible with ferrule	0.2...1.5 mm ² / AWG 24-16
Stripping length	10 mm
Opening force	50 N
Test opening, diameter	2.1 mm

Other

Operating mode	continuous operation
Mounting	any position
Degree of protection, internal components (IEC 60529)	IP30
Degree of protection, terminals (IEC 60529)	IP20
Enclosure material	polycarbonate
Flammability class	UL94 V-0
DIN rail mounting acc. to	IEC 60715
Screw fixing	2 x M4 with mounting clip
Operating Manual	BP409017
Weight	≤ 140 g

Ordering information

Type	Supply voltage U_s	Output voltage	Art. No.
AN420-2	DC / AC 42...460 Hz 70...276 V	DC ± 12 V 400 mA	B 7405 3100

Device version with screw terminals on request.

Accessories

Type	Art. No.
Mounting clip for screw mounting (1 piece per device, accessories)	B 9806 0008

Connecting cables for measuring current transformers of the W...AB series

Type	Length	Art. No.
WXS-100	1 m	B 9808 0506
WXS-250	2.5 m	B 9808 0507
WXS-500	5 m	B 9808 0508
WXS-1000	10 m	B 9808 0509

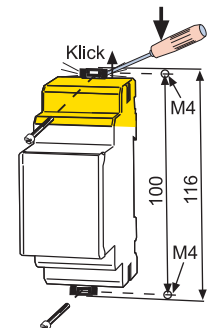
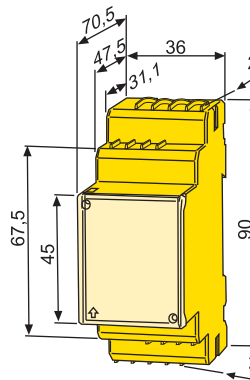
Dimension diagram XM420

Dimensions in mm

Open the front plate cover in direction of arrow!

Screw mounting

Note: The upper mounting clip must be ordered separately (see ordering information).





Bender GmbH & Co. KG

P.O. Box 1161 • 35301 Grünberg • Germany
Londorfer Straße 65 • 35305 Grünberg • Germany
Tel.: +49 6401 807-0 • Fax: +49 6401 807-259
E-Mail: info@bender-de.com • www.bender-de.com

BENDER Group