

Power supply unit AN450

Power supply unit



AN450

Product description

The power supply unit AN450 is designed to supply Bender devices with a supply voltage of AC 20 V and a total power consumption of maximum 9 VA.

A maximum of 3 alarm indicator and test combinations MK2430 / MK800 can be supplied, for example.

Function

The supply voltage AC 230 V will be connected to the terminals A1/A2. The output voltage AC 20 V is available across the terminals U2/V2. The unit features two input and output terminals, so that several AN450 can be connected in parallel, if required. The terminals A1/A2 and U2/V2 must not be interchanged.

The secondary circuit of the built-in safety transformer is protected by a PTC resistor.

Device features

- Power supply unit for the supply of Bender devices with a supply voltage of AC 20 V and a total power consumption of maximum 9 VA
- Supply of maximum three alarm indicator and test combinations MK2430 / MK800, for example
- protected secondary circuit

Details about the cable length

The maximum number of devices that can be connected depends upon the loss of voltage in the line between AN450 and the device.

Please take the note of supply voltage ranges as well as the tolerance of the system voltage:

In case of long cables, check the value of the supply voltage across the terminals of the connected device. If the loss of voltage in the line is too great, a point-to-point connection is recommended.

Approvals

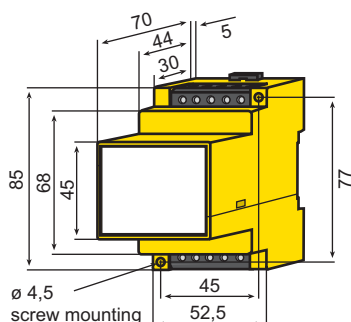


2.5.5

Ordering information			
Type	Supply voltage U_S	Output voltage	Art. No.
AN450	AC 230 V, 50...60 Hz	AC 20 V, 50...60 Hz	B 924 201
AN450-133	AC 127 V, 50...60 Hz	AC 20 V, 50...60 Hz	B 924 203

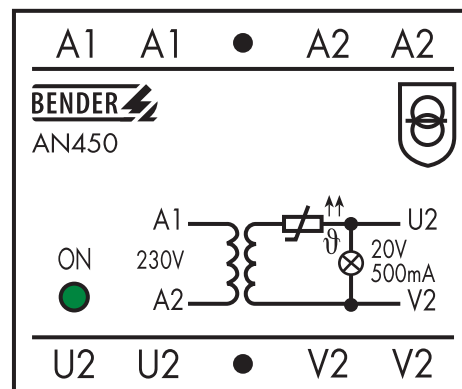
Dimension diagram X440

Dimensions in mm

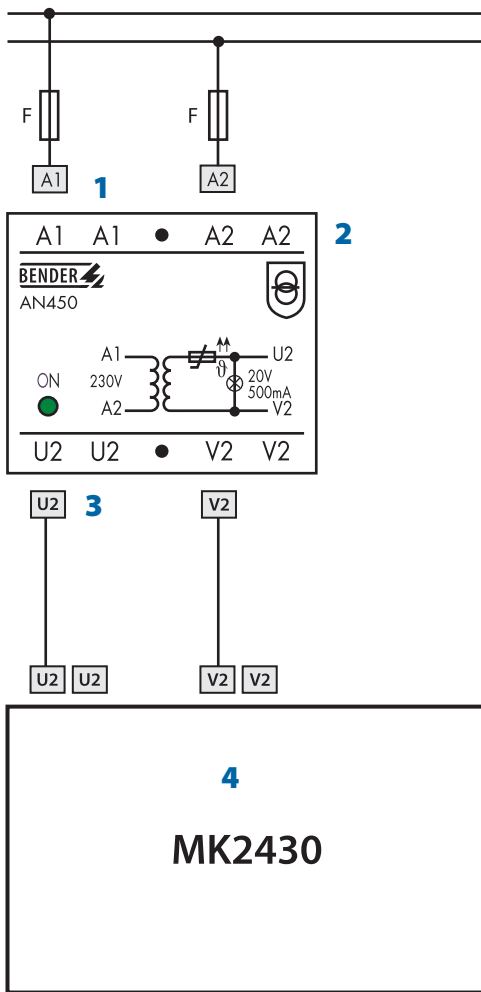


Operating elements

Operation LED (green) "ON" lights, when the device is in operating state.



Wiring diagram



- 1 - A1, A2 = supply voltage U_s ; F = short circuit protection
- 2 - Power supply unit AN450
- 3 - U2, V2 = output voltage
- 4 - Alarm indicator and test combination

Technical data power supply unit AN450

Insulation coordination acc. to IEC 60664-1	
Rated insulation voltage	AC 250 V
Rated impulse voltage/pollution degree	4 kV/3
Voltage range	
Supply voltage U_s	see ordering information
Frequency range U_s	see ordering information
Operating range U_s	0.85...1.1 x U_e
Power consumption	≤ 9 VA
Secondary voltage	AC 20 V, 50...60 Hz
Nominal secondary voltage	≤ 9 VA
Secondary protection	PTC resistors
General data	
EMC immunity	acc. to EN 61000-6-2
EMC emission	acc. to EN 61000-6-4
Classification of climatic conditions acc. to IEC 60721	
Stationary use /transport/storage	3K5/2K3/1K4
Operating temperature	- 5 °C... + 50 °C
Classification of mechanical conditions acc. to IEC 60721	
Stationary use/transport/storage	3M4/2M2/1M3
Operating mode	continuous operation
Mounting	any position
Connection	screw-type terminals
Connection properties	
rigid/flexible/conductor sizes	0.2...4/0.2...2.5 mm ² /AWG 22-12
flexible with ferrule, without/with plastic sleeve	0.25...2 mm ²
Stripping length	8 mm
Tightening torque	0.5 Nm
Degree of protection, internal components /terminal (DIN EN 60529)	IP 30 / IP 20
Type of enclosure/dimension diagram	X440
Screw mounting	2 x M4
DIN rail mounting acc. to	IEC 60715
Flammability class	UL94V-0
Product standards	DIN EN 60742; DIN EN 60742; DIN EN 61558-1; IEC 61558-1
Operating manual	BP203003
Weight	≤ 400 g