

Measuring instruments 9604 / 7204 / 7220 / 9620



Measuring instruments 9604 / 7204 / 9620



Measuring instruments 9604-4241

Device features

- Dimensions: 72 x 72 mm (7204) or 96 x 96 mm (9604 / 9620)
- Version S for increased shock and vibration resistance
- Scale background: white, imprint: black

Product description

The analogue measuring instruments of the 9604 7204 series are designed for indication of measured values from Bender devices equipped with the appropriate current output.

Measuring instruments for A-ISOMETER®

The respective internal resistance of the insulation monitoring device has to be considered. The internal resistance must be equal to the scale centre point (e.g. 120 kΩ). The instruments utilize either a division scale or a scale with a segment display.

"Standard" version

The enclosures are made of polycarbonate, which is self-extinguishing and of non-melting material (according to UL94 V-0). For space-saving arrangement, several instruments can be installed close together without spacers. Connection is made via hexagon head bolts with spring-loaded terminal bolts. The terminals of the enclosure are protected against accidental contact.

"S" version

The measuring instruments of the "S" series are designed to meet the requirements of harsh environmental conditions, e.g. for use on ships.

Ordering information and A-ISOMETER®/RCM assignment

Type	Input current	Dimensions	Suitable for A-ISOMETER® / RCM	Art. No.
7204-1421	0...400 μA	72 x 72 mm	IR470LY-4..., IRD1007L-4..., IRDH275 / 375	B 986 763
9604-1421	0...400 μA	96 x 96 mm	IR470LY-4..., IRD1007L-4..., IRDH275 / 375	B 986 764
7204S-1421	0...400 μA	72 x 72 mm	IR470LY-4..., IRD1007L-4..., IRDH275 / 375	B 986 804
9604S-1421	0...400 μA	96 x 96 mm	IR470LY-4..., IRD1007L-4..., IRDH275 / 375	B 986 784
9620-1421	0...20 mA	96 x 96 mm	IRDH275B/375B/575	B 986 841
9620S-1421	0...20 mA	96 x 96 mm	IRDH275B/375B/575	B 986 842
9604-1621	0...400 μA	96 x 96 mm	IR470LY2-6...	B 986 782
9604-4241	0...400 μA	96 x 96 mm	RCM470 / RCMA470	B 986 807
7220-1421	0...20 mA	72 x 72 mm	IRDH275B/375B/575	B 986 844
7220S-1421	0...20 mA	72 x 72 mm	IRDH275B/375B/575	B 986 848

Technical data

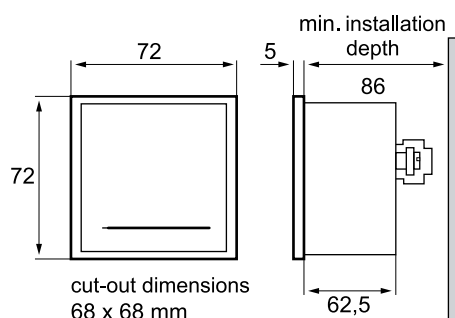
Test voltage	3 kV
Accuracy class acc. to DIN 43780	1.5
Normal position	vertical + 5 degree
Temperature range	-25...+40 °C

Protection class acc. to DIN 40050

Enclosure	IP52
Terminals	IP00
Terminals with contact protection	IP20

Type of enclosure / dimension diagram measuring instrument 7204 / 7220

Dimensions in mm



Type of enclosure / dimension diagram measuring instrument 9604 / 9620

Dimensions in mm

