

NTP RJ45 Network Protectors

Network protection



NTP RJ45 Network Protectors

Network protection



NTP-RJ45-1CAT6

Cat6 and PoE RJ45 Network Surge Protection products are specifically designed for the protection of twisted pair Ethernet systems with a combination of rugged and fine grain protection elements.

10kA Front End Protection & Low Impedance Secondary Protection

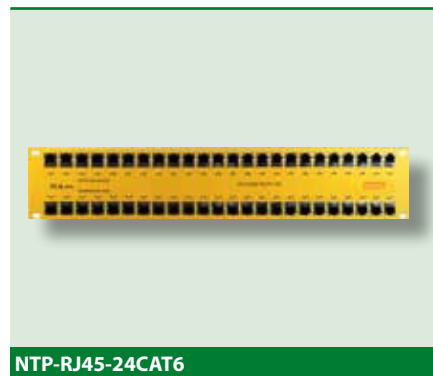
The RJ45-CAT6 and RJ45-PoE protection products employ a 10kA Gas Discharge Tube per signal pair to dissipate the energy associated with large common mode surges. The silicon based secondary protection element used on each signal pair provides exceptional protection for your equipment whilst allowing network speeds up to Gigabit/1000BaseT.

PoE, PoE+, High Power PoE and beyond

The Novaris PoE protection devices are designed to handle up to 1 A of current per signal pair at up to 80VDC. This combination allows for Gigabit PoE systems with 4 pair power up to an outstanding 160W.

UTP and STP cabling compatible

Novaris network protection products utilise shield pass through connectors and metal bodies to allow for uninterrupted shielded network spans. The RJ45-1CAT6-EC90 option is necessary for earth isolation at the remote end of a network. This prevents current loops from appearing on the network shield.



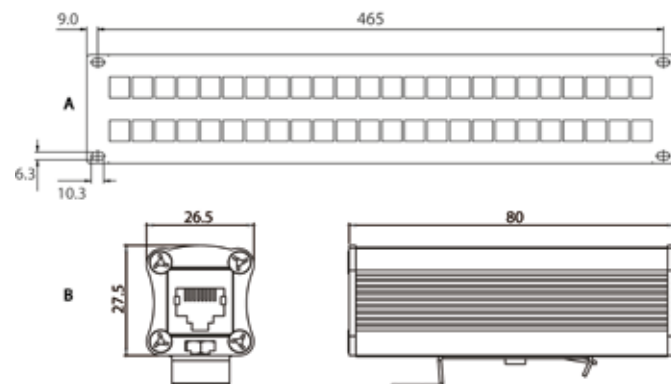
NTP-RJ45-24CAT6

Standards

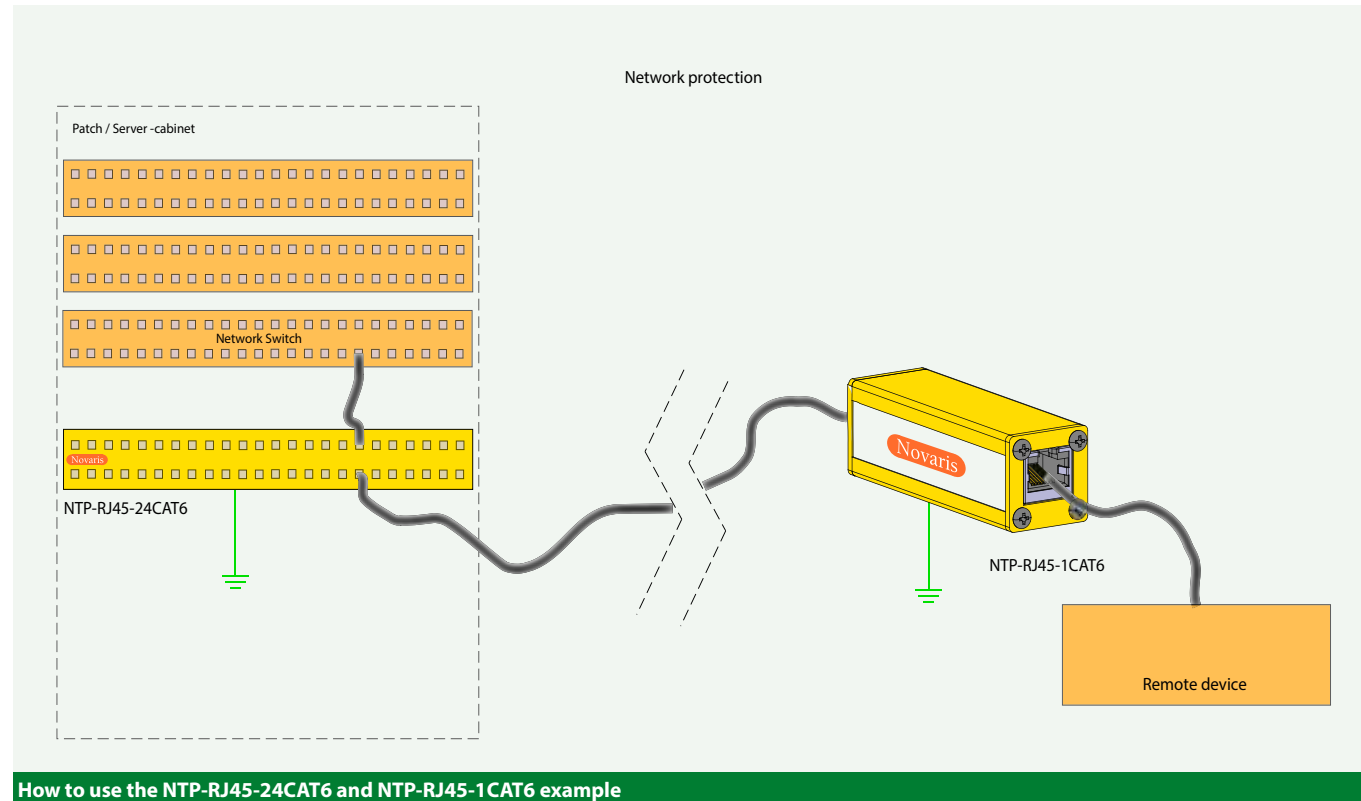
- AS/NZS 4117: 1999
- AS/CA S008: 2010
- ITU-T K.44: 2012
- UL 1449 3rd edition & UL 497B
- AS / NZS 1768: 2007
- IEC 61643-21: 2012



Dimensions



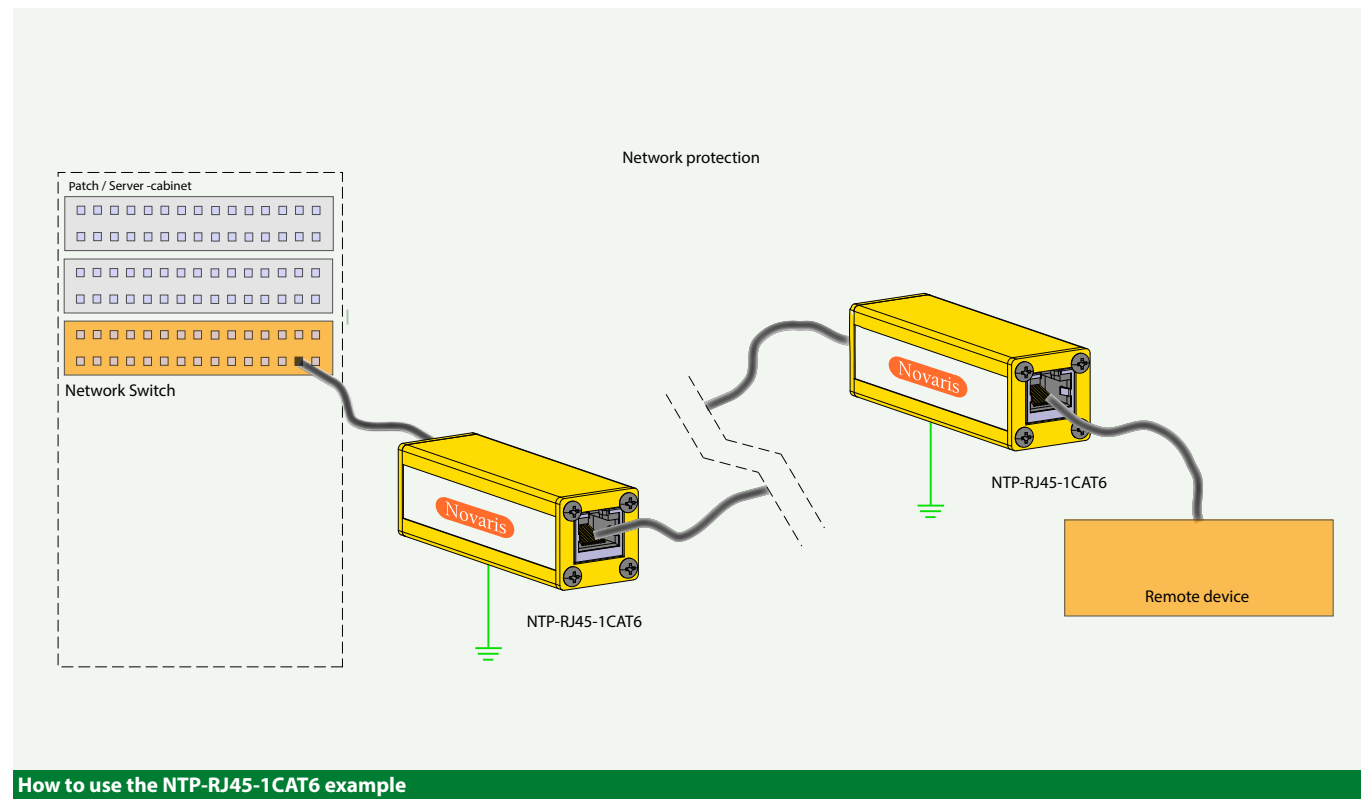
Type	RJ45-1CAT6 / 1PoE	RJ45-24CAT6 / 24PoE
Electrical Specifications		
Connection type	Series	
Number of lines	1 x RJ45 / 4 pairs & shield	
Modes of protection	Transverse and common mode	
Maximum continuous voltage (DC)	U_c	6 V
Maximum continuous voltage (AC)	U_c	4 V
Maximum PoE voltage (DC)		80 V
Maximum discharge current (8/20 μ s)	I_{max}	5 kA per line (10 kA common mode)
Maximum discharge current (10/350 μ s)	I_{imp}	1 kA per line (2 kA common mode)
impulse durability		C2: 10 x 2.0 kA 8/20 μ s D1: 2 x 0.5 kA 10/350 μ s
Maximum load current	I_L	1 A per common pair
L-L Voltage protection level @ 1 kV / μ s	U_P	20 V
L-L Voltage protection level @ 100 V / s		9 V
L-PE Voltage protection level @ 1 kV / μ s	U_P	350 V
L-PE Voltage protection level @ 1 kA 8/20 μ s	U_P	500 V
L-PE Voltage protection level @ 100 V / s		230 V
AC durability		1 A rms, 5 x 1 sec.
Overstressed fault mode		Mode 3 (open circuit)
Response time	t_A	Instantaneous
Line resistance		0.1 Ω
Line inductance		0.2 μ H
L-L capacitance	U_T	8 pF @ 1MHz
L-PE Capacitance	U_c	1.5 pF @ 1 MHz
Attenuation @ 220 Mhz (TIA CAT6 limit)		1.7 dB (28,9)
NEXT @ 250 Mhz (TIA CAT6 limit)		35.8 dB (35.5)
ReturnLoss@ 250 Mhz (TIA CAT6 limit)		11.2 dB (0.0)
Mechanical Specifications		
Operating temperature / humidity	-40 to +85°C / 5 to 95 % non-condensing	
Connection type / capacity	RJ45 Socket	
Terminal screw torque	-	
Environmental	IP 20 / indoor	
Dimensional drawing	B	A
Mounting	Inline / TS35 DIN-rail	
Earthing	Cable / TS35 DIN-rail	
Enclosure/colour	Metal /Yellow	
Weight	200 g	2000 g



Ordering information

Type	Central Switch	Remote Installation	Point to Point link	Art. No.
NTP-RJ45-1CAT6 / 1PoE *		10/100/1000T	10/100/1000T	BUTP-CAT6
NTP-RJ45-1CAT6 / 1PoE *		802.11 at PoE	802.11 at PoE	BUTP-CAT6
NTP-RJ45-24CAT6 / 24 PoE	10/100/1000T			BUTP-24CAT6
NTP-RJ45-24CAT6 / 24 PoE	802.11 at PoE			BUTP-24CAT6

* Din-Rail Mounting kit included, Isolating Earth connection is ordering option -EC90





Bender Benelux B.V.

Takkebijsters 54 • NL-4817 BL Breda • Nederland
Tel.: +31 (0)76 5878713 • Fax: +31 (0)76 5878927
E-Mail: benderbenelux@benderbenelux.com
www.benderbenelux.com



BENDER Group